

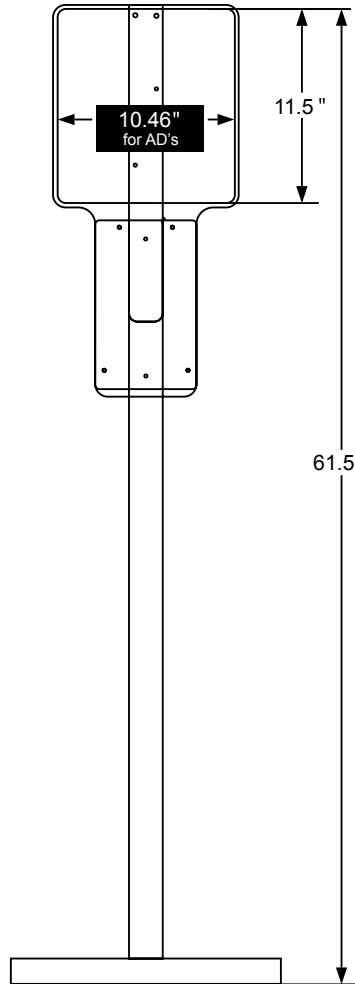


CLASSIC SANITIZER STATION

Our Classic Stand is made of die-cast zinc aluminum, a steel base, and made in the U.S.A. You can request customized faceplate with your branding, with matte laminated adhesive vinyl. Our stands can be powder-coated in white, black, grey, and light grey or custom finishes available per request.

AUTOMATIC HANDS-FREE LIQUID/GEL HAND SANITIZER

Our Dispenser is sold separately and works with most Liquid/Gel Hand Sanitizers making them ideal for use in offices, schools, warehouses, food services facilities, hospitals and more. ADA Compliant in force and one-handed operation, making it accessible to people with disabilities. ABS plastic casing is chemical, heat and impact resistant, made to provide long service life.



Dispenser
SOLD separately

Refill Pump

Model No.	MATERIAL	COVER FINISH	CAPACITY	OPERATION	DIMENSIONS	WEIGHT
CLASSIC SANITIZER STATION	Powder-coated Cast Aluminum	White / Grey	1x 1200 mL	Floor Stand	H 61.5 x W 11.8 / Base 13 x 13.75 in	24 lbs

Model No.	MATERIAL	COVER FINISH	CAPACITY	OPERATION	DIMENSIONS	WEIGHT
WALL MOUNT GEL / LIQUID (SOLD SEPARATELY)	ABS Plastic	White	1200 mL	Automatic Hands-Free	H 10.5 x W 6 x D 4.1 in	2.2 lbs

DISPENSER SOLD SEPARATELY



Drip tray included

Features and Benefits

- Includes infrared sensor for fully automatic non-touch operation
- Effectively avoid germs or infection without making physical contact with dispenser.
- Works with most bulk Liquid/Gel Hand Sanitizer.
- Large 1200mL Capacity requires less refills.
- Battery Type - C, 4 - 1.5V batteries required. (Batteries not included)
- Features lock to help prevent theft and vandalism as well as On & Off button.
- Automatic, Hands-Free operation for improved hand hygiene.
- Floor stand holds one Dispenser.
- Dispenser material: ABS

GEL / LIQUID

H 10.5" x W 6" x D 4.1"

SKU:

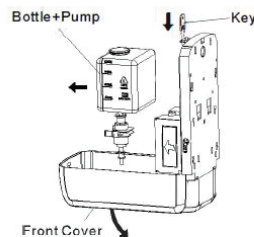
0671401060



Requires 4x C-size batteries.
Not included

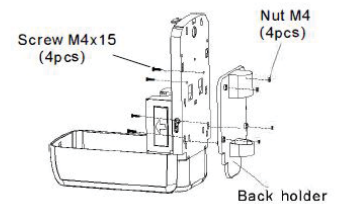
STEP 1

Open it with key,take out the bottle and pump



STEP 2

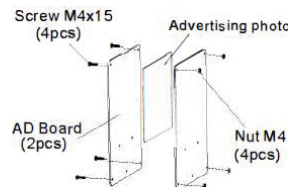
Install the back holder with dispenser



Install Black Holder

STEP 3

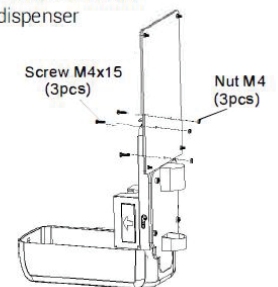
Put Advertising photo inside of 2 pcs AD board



* Advertising photo size: 18x 18cm

STEP 4

Install the AD Board on dispenser



Install AD Board
(If needed)